

JUMO MIDAS SI OEM-Pressure Transmitter

Brief description

This pressure transmitter can be used for measuring the relative (gauge) and absolute pressures in liquids and gases. The pressure transmitter operates on the piezoresistive measuring principle. The pressure is converted into an electrical signal.

Technical data

Reference conditions

to DIN 16 086 and IEC 770/5.3

Measurement ranges

see Order details

Overload limit

for ranges up to
0 – 25 bar 3 x full scale

Bursting pressure

for ranges up to
0 – 25 bar ≤ 4 x full scale

Parts in contact with medium

standard: stainless steel, Mat. Ref. 1.4571,
1.4435

Output

4 – 20 mA
2-wire burden $\leq (U_B - 10 \text{ V}) / 0.02 \text{ A}$
0.5 – 4.5 V burden $\geq 20 \text{ k}\Omega$
1 – (5)6 V burden $\geq 10 \text{ k}\Omega$
0 – 10 V burden $\geq 10 \text{ k}\Omega$

Burden error

< 0.5% max.

Zero signal deviation

≤ 0.3% of full scale

Thermal hysteresis

≤ ± 0.5% of full scale
(within compensated temperature range)
≤ ± 1% for ranges
0 – 250 mbar
0 – 400 mbar
0 – 600 mbar

Ambient temperature error

within range -20 to +85°C
(compensated temperature range)

zero: ≤ 0.02%/°C typical,
≤ 0.04%/°C max.
span: ≤ 0.02%/°C typical,
≤ 0.04%/°C max.

Deviation from characteristic

≤ 0.5% of full scale
(limit point adjustment)

Hysteresis

≤ 0.1% of full scale

Repeatability

≤ 0.05% of full scale

Response time

≤ 3 msec max.

Stability over 1 year

≤ 1% of full scale

Supply

10 – 30 V DC (for output 4 – 20 mA
and 1 – (5)6 V)
5 V DC (for output 0.5 – 4.5 V)
11.5 – 30 V DC (for output 0 – 10 V)
Ripple: the voltage spikes must not go out-
side the limits specified for the supply.
Max. current drawn: approx. 25 mA

Supply voltage error

≤ 0.02% per V
(nominal supply voltage 24 V DC)
ratiometric with supply 5 V DC (±0.5 V)

Permissible ambient temperature

for version with connector:
-20 to +125°C
for version with attached cable:
-20 to +100°C

Storage temperature

-40 to +125°C
for version with attached cable
-20 to +100°C



Type 401006/000-xxx-xxx-xxx-20-61



Type 401006/000-xxx-xxx-xxx-20-36

Permissible temperature of medium
-30 to +125°C

Electromagnetic compatibility (EMC)
to EN 61 326

Mechanical shock
(to IEC 68-2-27)
100 g/1 msec

Mechanical vibration
(to IEC 68-2-6)
20 g max. at 15 – 2000 Hz

Protection

with terminal box
IP65 to EN 60 529
(connection cable diameter:
5 mm min., 7 mm max.)
with connection cable or
with circular connector M 12 x 1
IP67 to EN 60 529

Housing

stainless steel, Mat. Ref. 1.4301
PBT

Pressure connection

see Order details;
other connections on request

Electrical connection

see Order details
terminal box to DIN 43 650,
Style A,
conductor cross-section up to 1.5 mm²;
or
attached 4-core PVC cable, 0.5 m long,
other lengths on request
or 4-pole circular connector
M 12 x 1

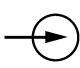
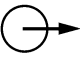
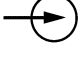
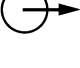
Nominal position

unrestricted

Weight

120 gm

Electrical connection

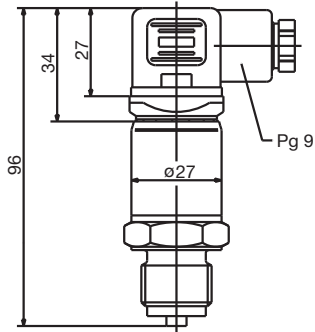
| Connection | | Terminal assignment | | |
|--|---|--|-----------------|----------|
| | | Terminal box | Cable | M12x1 |
| Supply (for output) 10 – 30 V DC 11.5 – 30 V DC 5 V DC (1 – (5)6 V) (0 – 10 V) (0.5 – 4.5 V) |  | 1 L+ 2 L- | white brown | 1+ 2- |
| Output 1 – (5)6 V 0 – 10 V 0.5 – 4.5 V |  | 2 - 3 + | brown yellow | 2- 3+ |
| Supply (for output) 10 – 30 V DC (4 – 20 mA, 2-wire) |  | 1 L+ 2 L- | white brown | 1+ 3- |
| Output 4 – 20 mA, 2-wire |  | 1 + 2 - proportional 4 to 20 mA current in supply | white brown | 1+ 3- |

Pin assignment

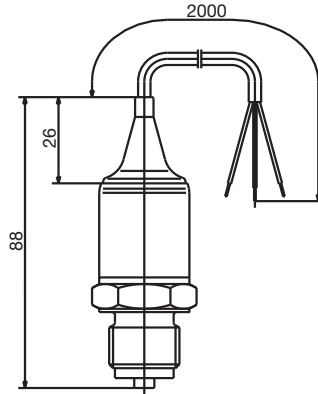


Dimensions

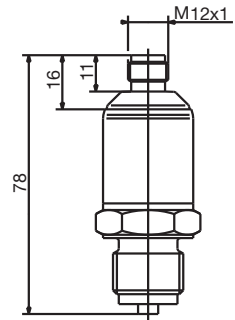
401006/000-XXX-XXX-504-20-61



401006/000-XXX-XXX-504-20-11

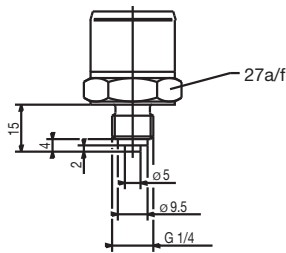


401006/000-XXX-XXX-504-20-36

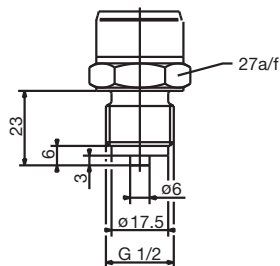


Process connections

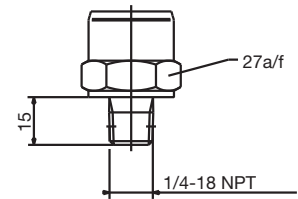
502



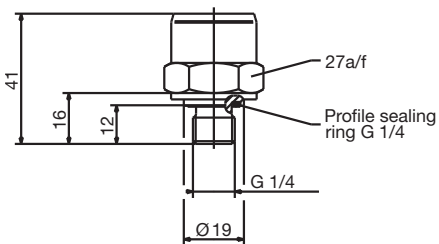
504



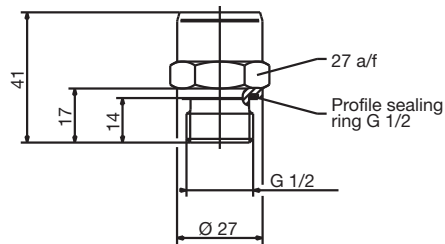
511



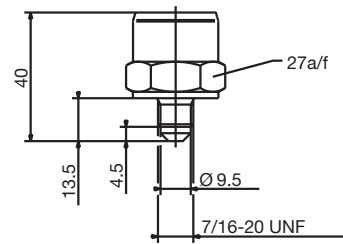
521



523



562





Order details

Basic type

401006 Pressure transmitter JUMO MIDAS SI

Basic type extension

- | /000 none
- | /999 special version

Input

- | | 451 0 0.25 bar gauge pressure
- | | 452 0 0.4 bar gauge pressure
- | | 453 0 0.6 bar gauge pressure
- | | 454 0 1.0 bar gauge pressure
- | | 455 0 1.6 bar gauge pressure
- | | 478 -1 0 bar gauge pressure
- | | 479 -1 0.6 bar gauge pressure
- | | 487 0 0.6 bar absolute pressure
- | | 488 0 1.0 bar absolute pressure
- | | 489 0 1.6 bar absolute pressure
- | | 490 0 2.5 bar absolute pressure
- | | 491 0 4 bar absolute pressure
- | | 492 0 6 bar absolute pressure
- | | 493 0 10 bar absolute pressure
- | | 494 0 16 bar absolute pressure
- | | 495 0 25 bar absolute pressure
- | | 998 special absolute pressure range
- | | 999 special gauge pressure range

Output

- | | | 405 4 to 20 mA 2-wire
- | | | 412 0.5 to 4.5 V 3-wire
- | | | 415 0 to 10 V 3-wire
- | | | 418 1 to 5 V 3-wire
- | | | 420 1 to 6 V 3-wire

Process connection (not front-flush)

- | | | | 502 G 1/4 to EN 837
- | | | | 504 G 1/2 to EN 837
- | | | | 511 1/4-18 NPT to EN 837
- | | | | 521 G 1/4 to DIN 3852 T11
- | | | | 523 G 1/2 to DIN 3852 T11
- | | | | 562 7/16 UNF

Material of process connection

- | | | | | 20 stainless steel

Electrical connection

- | | | | | 11 by attached cable 2 m
- | | | | | 36 by circular connector M 12 x 1
- | | | | | 61 by terminal box

Extra codes

- | | | | | | 000 none
- | | | | | | 591 Restrictor in pressure channel

401006 / [] - [] - [] - [] - [] - [] / [] Order code

Accessories

Designation

- 4-pole straight socket M12x1 with 2m PVC cable
- 4-pole angled socket M12x1 with 2 m PVC cable

Part No.

- 00404585
- 00409334