

Humidity and temperature transmitter

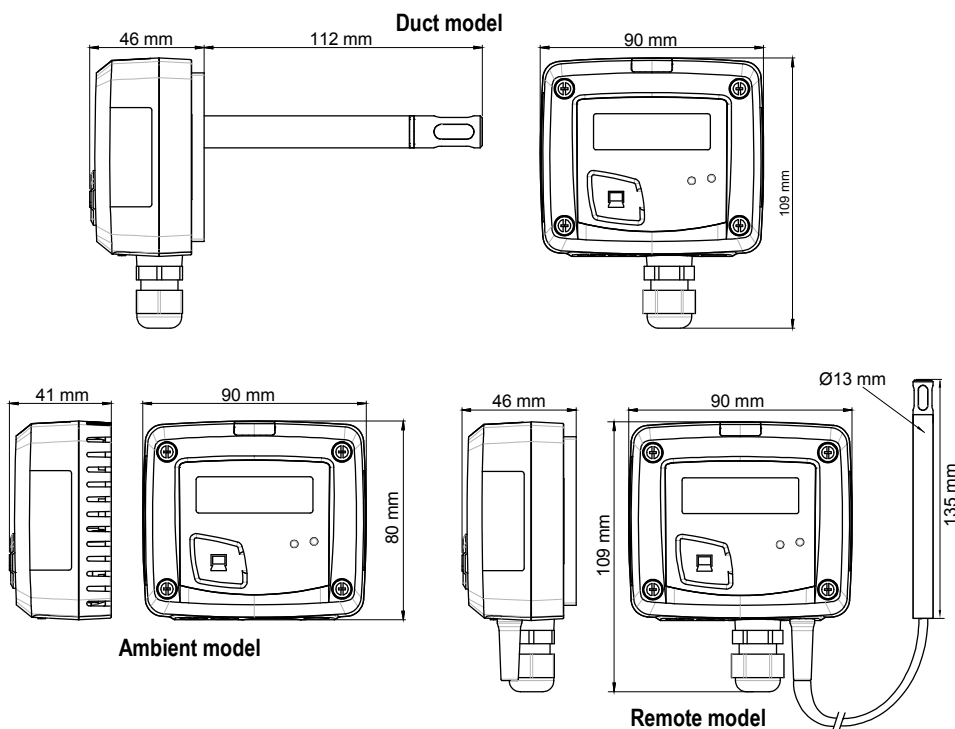
TH 110



KEY POINTS

- Measuring range from 5 to 95% RH and from 0 to 50°C (ambient model) or from -20 to +80°C (duct or remote model)
- 0-10 V output, active, power supply 24 Vac/Vdc (3-4 wires) or 4-20 mA output, passive loop, power supply from 16 to 30 Vdc (2 wires)
- ABS V0 housing IP65 (duct or remote model) or IP20 (ambient model), with or without display
- Alternating display of humidity and temperature
- "¼ turn" system mounting with wall-mount plate
- Housing with simplified mounting system

FEATURES OF HOUSING



Material

ABS V0 as per UL94

Protection

IP65 (duct and remote models)
 IP20 (ambient model)

Display

LCD 10 digits. Size: 50 x 17 mm
 Alternating display of humidity and temperature

Height of digits

Values: 10 mm
 Units: 5 mm

Cable gland (remote and duct models)

For cables Ø8 mm maximum

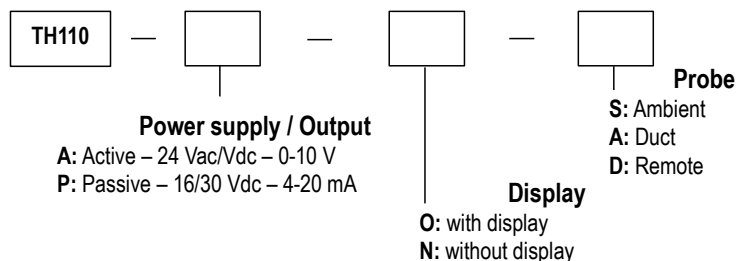
Weight

124 g (ambient model); 135 g (duct and remote models)

Cable of remote probes: length 2 m and Ø4.8 mm in silicone

PART NUMBER

To order, just add the codes to complete the part number:



Example: TH110 – ANS

Humidity and temperature transmitter TH110, 0-10 V active, without display, ambient model

TECHNICAL FEATURES IN TEMPERATURE

Measuring range	Ambient model: from 0 to 50°C Remote and duct models: from -20 to +80°C
Accuracy*	Ambient model: $\pm 0.4\%$ of reading $\pm 0.3^\circ\text{C}$ Remote and duct models: $\pm 0.3^\circ\text{C}$ (from -40°C to 70°C) ; $\pm 0.5^\circ\text{C}$ beyond
Unit of measurement	$^\circ\text{C}$ / $^\circ\text{F}$
Response time	1/e (63%) 15 s
Sensitive element	NTC
Resolution	0.1°C
Type of fluid	Air and neutral gases

TECHNICAL FEATURES IN HUMIDITY

Measuring range	From 5 to 95% RH
Analogue output	From 0 to 100% RH
Accuracy*	$\pm 1.5\%$ RH (if $15^\circ\text{C} \leq T \leq 25^\circ\text{C}$) on remote and duct models $\pm 1.8\%$ RH (if $15^\circ\text{C} \leq T \leq 25^\circ\text{C}$) on ambient model
Drift linked to temperature	$\pm 0.04 \times (T-20)$ % RH (if $15^\circ\text{C} \leq T \leq 25^\circ\text{C}$)
Unit of measurement	% RH
Response time	1/e (63%) 4 s
Type of sensor	Capacitive
Resolution	0.1% RH
Factory adjustment uncertainty	$\pm 0.88\%$ RH
Type of fluid	Air and neutral gases

*All the accuracies indicated in this technical datasheet were stated in laboratory conditions, and can be guaranteed for measurements carried out in the same conditions, or carried out with calibration compensation.

TECHNICAL SPECIFICATIONS

Output / Power supply

- active sensor 0-10 V (power supply 24 Vac/Vdc $\pm 10\%$), 3-4 wires
- passive loop sensor 4-20 mA (power supply 16/30 Vdc), 2 wires
- common mode voltage <30 VAC
- maximum load: 500 Ohms (4-20 mA)
- minimum load: 1 K Ohms (0-10 V)

Consumption

2 VA (0-10 V) or 1.2 VA (4-20 mA)

European directives

2014/30/EU EMC
2014/35/EU Low Voltage
2011/65/EU RoHS II
2012/19/EU WEEE

Electrical connection

Screw terminal block for cables from 0.05 to 2.5 mm² or from 30 to 14 AWG
Carried out according to the code of good practice

PC communication

USB-mini DIN cable

Environment

Air and neutral gases

Conditions of use ($^\circ\text{C}/\%RH/m$)

From 0 to +50°C. In non-condensing condition. From 0 to 2000 m.

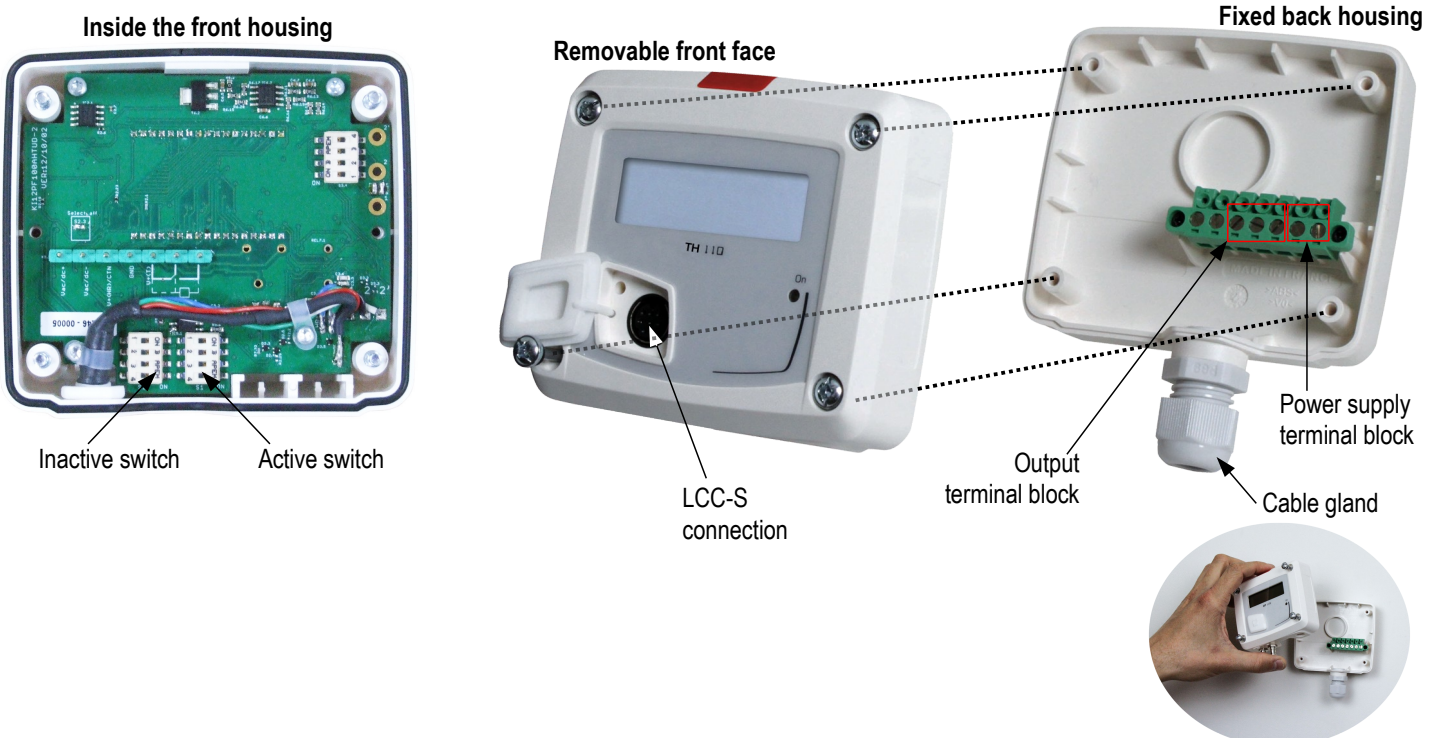
Operating temperature of the probe

From -20 to +80°C

Storage temperature

From -10 to +70°C

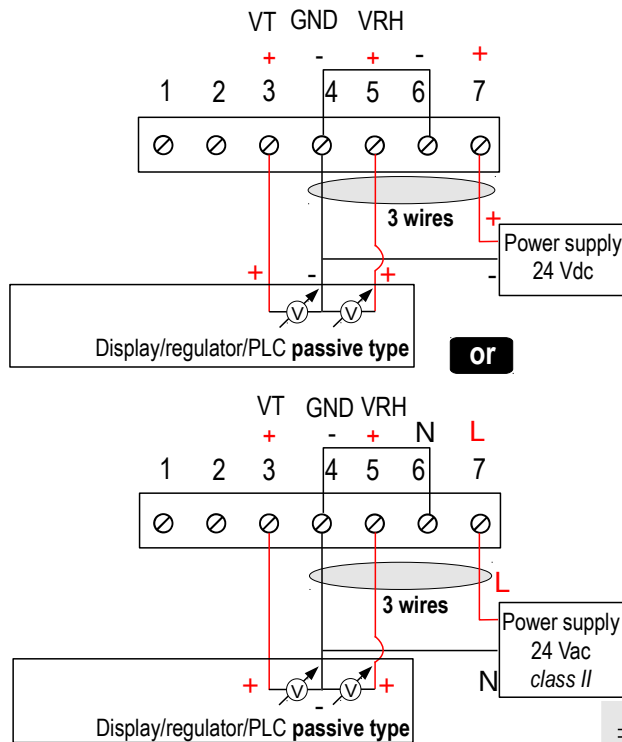
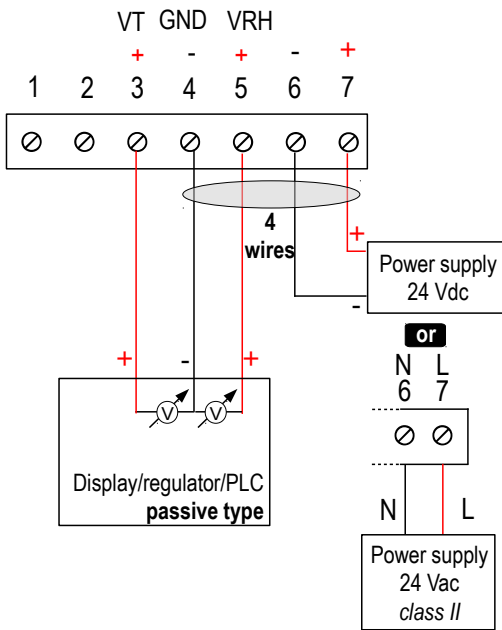
CONNECTIONS



! This connection must be made by a qualified and trained technician. To make the connection, the transmitter must not be energized.

For TH110-AOS, TH110-ANS, TH110-AOD, TH110-AND, TH110-AOA, TH110-ANA models with 0-10 V output – active:

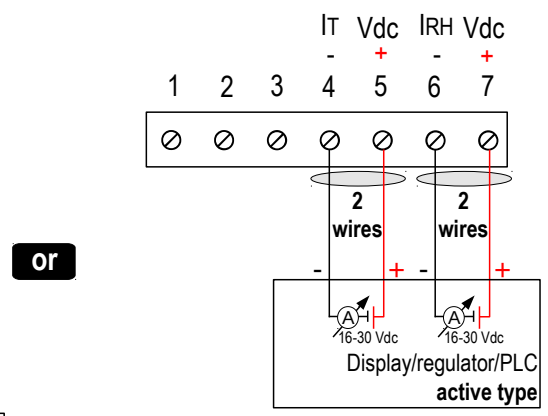
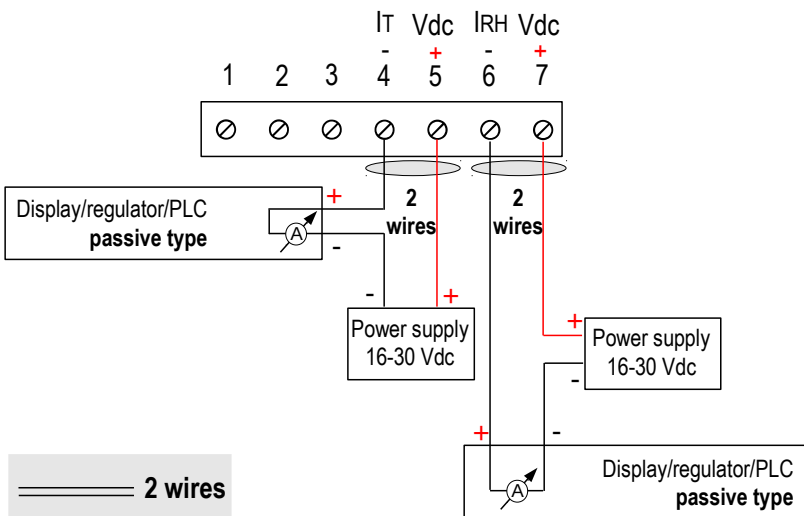
! To make a 3-wire connection, before powering up the transmitter, please connect the output ground to the input ground. See drawing below.



==== 4 wires

==== 3 wires

For TH110-POS, TH110-PNS, TH110-POD, TH110-PND, TH110-POA, TH110-PNA models with 4-20 mA output – passive:



==== 2 wires

SETTINGS AND USE OF THE TRANSMITTER

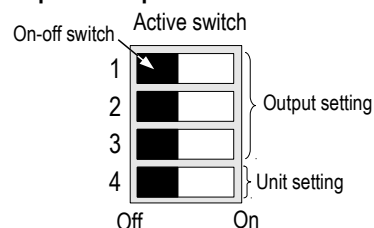
> Configuration

It is possible to set the measuring ranges and the unit of the instrument either by switch and/or via software.

! To configure the transmitter, it must not be energized. Then, you can make the settings required, with the DIP switches (as shown on the drawing below). When the transmitter is configured, you can power it up.

> Configuration by switch

To configure the transmitter, unscrew the 4 screws from the housing then open it. DIP switches allowing the different settings are then accessible



! Please follow carefully the combinations beside with the DIP switch. If the combination is wrongly done, the following message will appear on the display of the transmitter "CONF ERROR". In that case, you will have to unplug the transmitter, place the DIP switches correctly, and then power the transmitter up.

> Units setting – active switch

To set a unit of measurement, put the on-off switch 4 of the units as shown below.

Configurations	°C	°F
Combinations	1	1
	2	2
	3	3
	4	4

> Outputs setting – active switch

To set an output, put the on-off switches 1, 2 and 3 of the measuring ranges as shown below.

Configurations	From 0 to +50°C	From -20 to +80°C	From -50 to +50°C	From 0 to 100°C
Combinations	1	1	1	1
	2	2	2	2
	3	3	3	3
	4	4	4	4

CONFIGURATION VIA LCC-S SOFTWARE (option)

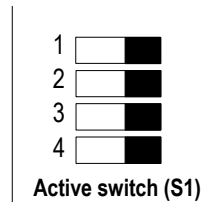
An easy and friendly configuration with the software!

It is possible to configure intermediate ranges, an offset

Example : for a 0-100°C transmitter, minimum delta minimum is 20°C. The instrument can be configured from 0 to +20°C or from -10 to +10°C.

In order to compensate a possible drift of the sensor, it is possible to add an offset to the displayed value by the TH110 transmitter : it shows 48% RH, a standard instrument shows 45% RH. It is then possible, via the software, to integrate an offset of -3 to the displayed value by the TH110 instrument.

- To access the configuration via software:
 - Set the DIP switches as shown beside.
 - Connect the cable of the LCC-S to the connection of the transmitter.
- Please refer to the user manual of the LCC 100 to make the configuration.



The configuration of the parameters can be done either with the DIP switch or via software (you can not combine both solutions).

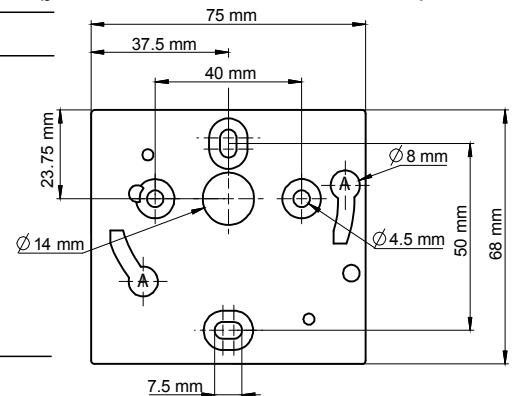
MOUNTING

To mount the transmitter, mount the ABS plate on the wall (drilling: Ø6 mm, screws and pins are supplied).

Insert the transmitter on the fixing plate (see A on the drawing beside). Rotate the housing in clockwise direction until you hear a “click” which confirms that the transmitter is correctly installed.



Ambient model does not have any mounting plate.
4 fixing holes are present inside the back housing. Use them to install the transmitter on the required location.



MAINTENANCE

Please avoid any aggressive solvent. Please protect the transmitter and its probes from any cleaning product containing formalin, that may be used for cleaning rooms or ducts.

OPTIONS AND ACCESSORIES

- KIAL-100A: Power supply class 2, 230 Vac input, 24 Vac output
- KIAL-100C: Power supply class 2, 230 Vac input, 24 Vdc output
- LCC-S: configuration software with USB cable
- Stainless steel sliding fittings
- PC cable gland
- ABS connection with connection gland
- Stainless steel connections
- Wall-mount plate for humidity remote probe

Only the accessories supplied with the device must be used.

PRECAUTIONS FOR USE

Please always use the device in accordance with its intended use and within parameters described in the technical features in order not to compromise the protection ensured by the device.

大華高科股份有限公司

www.taiwah.com.tw info@taiwah.com.tw

台北 TEL: (02) 2592 - 5119 Fax: (02) 2592- 3577

台中 TEL: (04) 2707 - 2269 Fax: (04) 2707- 1799

台南 TEL: (06) 243 - 2338 Fax: (06) 243 - 2339

KIMO® 為 KIMO 儀器公司的註冊商標。

資料中任何商標和圖片為本公司版權所有。未經本公司書面許可不得以任形式複製，轉印，發行或儲存資料中所包含的訊息。本資料如有變更，恕不另行通知。