

## TX series INCLINED LIQUID COLUMN MANOMETERS



The TX range of inclined liquid column manometers, developed and manufactured by KIMO, measure slight variations in pressure, depression or differential pressure. They are particularly recommended for measuring overpressures and depressions in clean rooms, operating blocks, laboratories, aseptic rooms, laminar flows...

### KEY POINTS

- Scale with centered zero
- Possibility for measuring positive and negative pressures
- High measurement sensitivity
- Very low pressure ranges
- Zero adjusting by moving the slide strip
- Integrated spirit level for adjusting horizontality
- Supplied with a white PVC support, 2 screws and 2 rawplugs, two 487 connectors and a bottle of AWS 10 liquid.

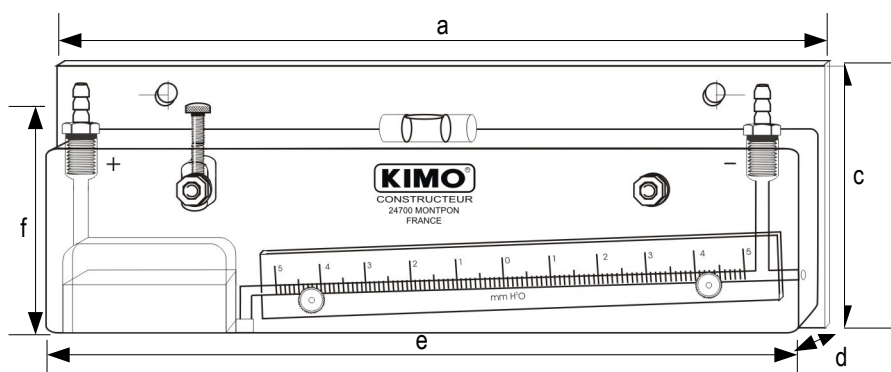
### MEASURING RANGE

Reference	Measuring range		Sensitivity scale For 1 mm CE or 10 PA	Resolution
	mm CE	Pascal		
TX 25	2.5 – 0 – 2,5	25 – 0 – 25	20 mm	0.1 mm CE or 1 Pa
TX 50	5 – 0 – 5	50 – 0 – 50	15 mm	0.1 mm CE or 1 Pa
TX 75	7.5 – 0 – 7.5	75 – 0 – 75	10 mm	0.1 mm CE or 1 Pa

## TECHNICAL FEATURES

Recommended range of use	From +5 to +30°C
Possible range of use	From -30 to +60°C
Maximum static pressure	6 bars
Manometer body	Transparent 20 mm thick Altuglas
Liquid column	Entirely bored in the solid block, Ø 4mm.
Graduated slide strip	Transparent Altuglas. Cross-section 20 x 2 mm
Zero adjustment	By moving the graduated slide strip, travel 12 mm. Fixed in place via milled, nickel-plated brass screw.
Positioning	Horizontal positioning via integrated spirit level and milled, nickel-plated brass adjusting screw, vertical travel 12 mm.
Manometric liquid	AWS 10 red oil, density 0.87 at 15°C.
Reservoir capacity	20 ml
Connection	Connection : Ø 5x8 mm semi-rigid crystal tube, on Ø 6.2 mm ribbed, nickel-plated brass connectors, 1/8 gas thread
Wall-mounted	With or without white PVC support.

## DIMENSIONS



Référence	TX 25	TX 50	TX 75
a	184 mm	234 mm	234 mm
b	116 mm	166 mm	166 mm
c	80 mm	80 mm	80 mm
d	30 mm	30 mm	30 mm
e	180 mm	230 mm	230 mm
f	71 mm	71 mm	71 mm
poids	340 g	430 g	430 g

## MOUNTING

1. Mount the manometer on a wall or a vertical partition wall with two maximum Ø 5 x 25 mm screws.
2. Set horizontality by using the integrated level and the milled adjusting screw.
3. Unscrew the connector on the reservoir and slowly pour the manometric liquid to zero point on the graduation.
4. Remount the connector without overtightening.
5. Connect the manometer with the Ø 5x8 mm crystal tube to the pressure or depression source to be checked.

### NOTE :

- For a **pressure** measurement.....Connect the crystal tube to the **right-hand connector (+)**  
 For a **depression** measurement.....Connect the crystal tube to the **left-hand connector (-)**  
 For a **differential pressure**.....Connect the highest pressure to the **right-hand connector (+)** and the lowest pressure to the **left hand connector (-)**

### MAINTENANCE :

TX manometers require no special maintenance other than simply changing the reading liquid once a year.

# 大華高科股份有限公司

[www.taiwah.com.tw](http://www.taiwah.com.tw)    [info@taiwah.com.tw](mailto:info@taiwah.com.tw)

台北    TEL: (02) 2592 - 5119    Fax: (02) 2592- 3577

台中    TEL: (04) 2707 - 2269    Fax: (04) 2707- 1799

台南    TEL: (06) 243 - 2338    Fax: (06) 243 - 2339

KIMO® 為 KIMO 儀器公司的註冊商標。

資料中任何商標和圖片為本公司版權所有。未經本公司書面許可不得以任何形式複製、轉印、發行或儲存資料中所包含的訊息。本資料如有變更，恕不另行通知。