

VH series INCLINED LIQUID COLUMN MANOMETERS

Pressure / Depression

The VH range of inclined liquid column manometers, developed and manufactured by KIMO, measure slight variations in pressure, depression or differential pressure of air or gas. They are particularly recommended for checking clogging of filters in the ventilation and dust elimination industry.



KEY POINTS

- Horizontal V-shaped liquid column.
- Dual measuring range
- Different sensitivity on the two measuring ranges
- Zero adjustment via float
- Compact dimensions
- Integrated spirit level for adjusting horizontality
- Supplied with a white PVC support, 2 screws and 2 rawplugs, two 487 connectors and a bottle of AWS 10 liquid.

MEASURING RANGE

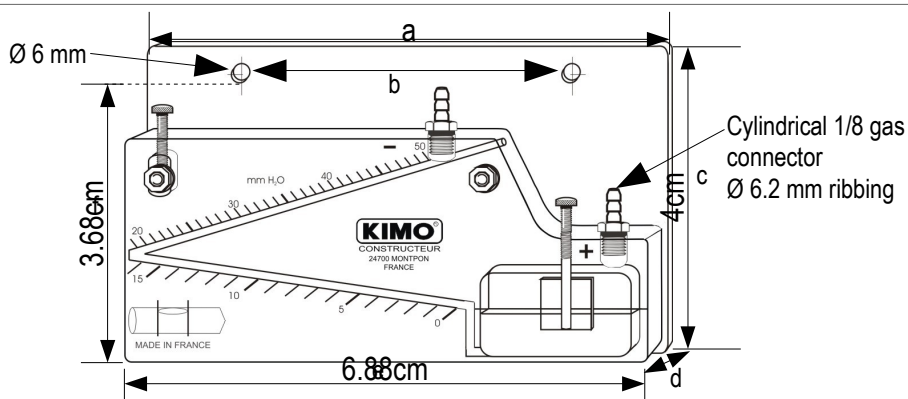
Reference	Measuring range						Sensitivity scale For 1 mm CE or 10 PA		Resolution 1 st and 2 nd column
	mm CE			Pascal			1 st column	2 nd column	
	Total	1 st column	2 nd column	Total	1 st column	2 nd column			
VH 50	0 – 50	0 – 16	19 – 50	0 – 500	0 – 160	190 – 500	7 mm	3.5 mm	1 mm CE or 10 Pa

The VH 50 also exists in DaPa.

TECHNICAL FEATURES

Recommended range of use	From +5 to +30°C
Possible range of use	From -30 to +60°C
Maximum static pressure	1 bar
Manometer body	Transparent 15 mm thick Altuglas.
Liquid column	Entirely bored in the solid block, Ø 4 mm.
Graduation	Directly silk-screened onto the rear face.
Zero adjustment	By moving the Altuglas float and the milled, nickel-plated brass screw, travel 10 mm.
Positioning	Horizontal positioning via integrated spirit level and milled, nickel-plated brass adjusting screw, vertical travel 12 mm.
Manometric liquid	AWS 10 red oil, density 0.87 at 15°C.
Reservoir capacity	20 ml
Connection	Ø 5x8 mm semi-rigid crystal tube, on Ø 6.2 mm ribbed, nickel-plated brass connectors, 1/8 gas thread.
Wall-mount	With or without white PVC support.

DIMENSIONS



Reference	VH 50
a	188 mm
b	120 mm
c	112 mm
d	25 mm
e	182 mm
f	101 mm
Weight	380 g

MOUNTING

1. **Mount** the manometer on a wall or a vertical partition wall with two maximum **Ø 5 screws**.
2. **Set horizontality** by using the integrated level and the milled adjusting screw.
3. **Unscrew** the connector on the reservoir and **slowly pour the manometric liquid** to zero point on the graduation.
4. **Remount** the connector without overtightening.
5. **Connect** the manometer with the **Ø 5x8 mm** crystal tube to the pressure or depression source to be checked.

NOTE :

- For a **pressure** measurement..... Connect the crystal tube to the **right-hand connector (+)**
 For a **depression** measurement..... Connect the crystal tube to the **left-hand connector (-)**
 For a **differential pressure**..... Connect the highest pressure to the **right-hand connector (+)** and the lowest pressure to the **left hand connector (-)**

MAINTENANCE :

VH manometers require no special maintenance other than simply changing the reading liquid once a year.

大華高科股份有限公司

www.taiwah.com.tw info@taiwah.com.tw

台北 TEL: (02) 2592 - 5119 Fax: (02) 2592- 3577

台中 TEL: (04) 2707 - 2269 Fax: (04) 2707- 1799

台南 TEL: (06) 243 - 2338 Fax: (06) 243 - 2339

KIMO® 為 KIMO 儀器公司的註冊商標。

資料中任何商標和圖片為本公司版權所有。未經本公司書面許可不得以任何形式複製，轉印，發行或儲存資料中所包含的訊息。本資料如有變更，恕不另行通知。