

KX series INCLINED LIQUID COLUMN MANOMETERS

Pressure / Depression

The KX range of inclined liquid column manometers, developed and manufactured by KIMO, measure slight variations in pressure, depression or differential pressure of air or gas. They are for use in the following applications : treatment of air, ventilation, air conditioning, heating, dust elimination...



KEY POINTS

- Scale with centered zero.
- Possibility for measuring positive and negative pressures.
- Zero adjusting by moving the slide strip.
- Integrated spirit level for adjusting horizontality
- Supplied with a white PVC support, 2 screws and 2 rawplugs, two 487 connectors and a bottle of AWS 10 liquid.

MEASURING RANGE

Reference	Measuring range*		Sensitivity scale For 1 mm CE or 10 PA	Resolution
	mm CE	Pascal		
KX 205	25 – 0 – 25	250 – 0 – 250	3 mm	1 mm CE or 10 Pa
KX 404	40 – 0 – 40	400 – 0 – 400	2.5 mm	1 mm CE or 10 Pa

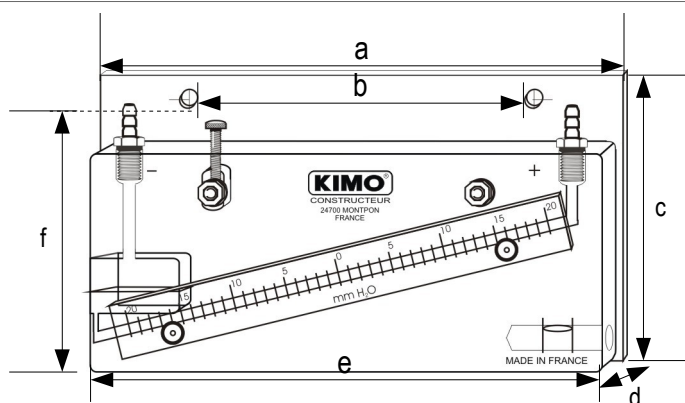
*Also exists in DaPa..

TECHNICAL FEATURES

Recommended range of use	From +5 to +30°C
Température d'utilisation possible	From -30 to +60°C
Maximum static pressure	6 bars
Manometer body	Transparent 15 mm thick Altuglas.
Liquid column	entirely bored in the solid block, Ø 4mm.
Graduated slide strip	Transparent Altuglas. Cross-section 20 x 2 mm.
Zero adjustment	By moving the graduated slide strip, travel 12 mm. Fixed in place via milled, nickel-plated brass screw.
Positioning	Horizontal positioning via integrated spirit level and milled, nickel-plated brass adjusting screw, vertical travel 12 mm.
Manometric liquid	AWS 10 red oil, density 0.87 at 15°C
Reservoir capacity	20 ml
Connection	Ø 5x8 mm semi-rigid crystal tube, on Ø 6.2 mm ribbed, nickel-plated brass connectors, 1/8 gas thread.
Wall-mounted	With or without white PVC support.

DIMENSIONS

Reference	KX 205	KX404
a	178 mm	219 mm
b	110 mm	151 mm
c	117 mm	154 mm
d	25 mm	25 mm
e	174 mm	215 mm
f	109 mm	129 mm
weight	420 g	660 g



MOUNTING

1. Mount the manometer on a wall or a vertical partition wall with two maximum Ø 5 x 25 mm screws.
2. Set horizontality by using the integrated level and the milled adjusting screw.
3. Unscrew the connector on the reservoir and slowly pour the manometric liquid to zero point on the graduation.
4. Remount the connector without overtightening.
5. Connect the manometer with the Ø 5x8 mm crystal tube to the pressure or depression source to be checked.

NOTE :

For a **pressure** measurement.....Connect the crystal tube to the **right-hand connector (+)**
 For a **depression** measurement.....Connect the crystal tube to the **left-hand connector (-)**
 For a **differential pressure**.....Connect the highest pressure to the **right-hand connector (+)** and the lowest pressure to the **left hand connector (-)**

MAINTENANCE :

KX manometers require no special maintenance other than simply changing the reading liquid once a year.

大華高科股份有限公司

www.taiwah.com.tw info@taiwah.com.tw

台北 TEL: (02) 2592 - 5119 Fax: (02) 2592- 3577

台中 TEL: (04) 2707 - 2269 Fax: (04) 2707- 1799

台南 TEL: (06) 243 - 2338 Fax: (06) 243 - 2339

KIMO® 為 KIMO 儀器公司的註冊商標。

資料中任何商標和圖片為本公司版權所有。未經本公司書面許可不得以任何形式複製、轉印、發行或儲存資料中所包含的訊息。本資料如有變更，恕不另行通知。